

# Collapsible Tufting Frame



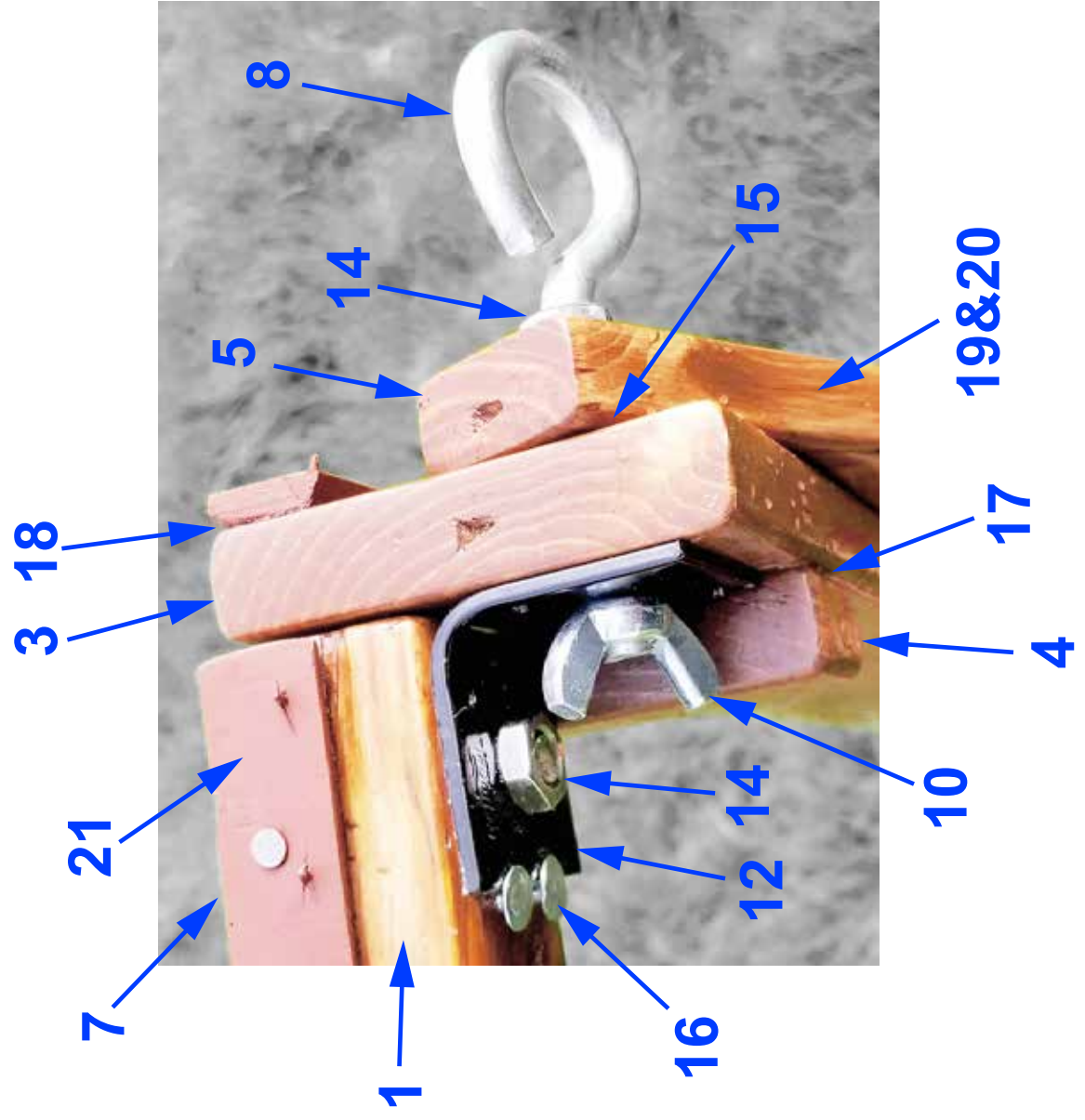
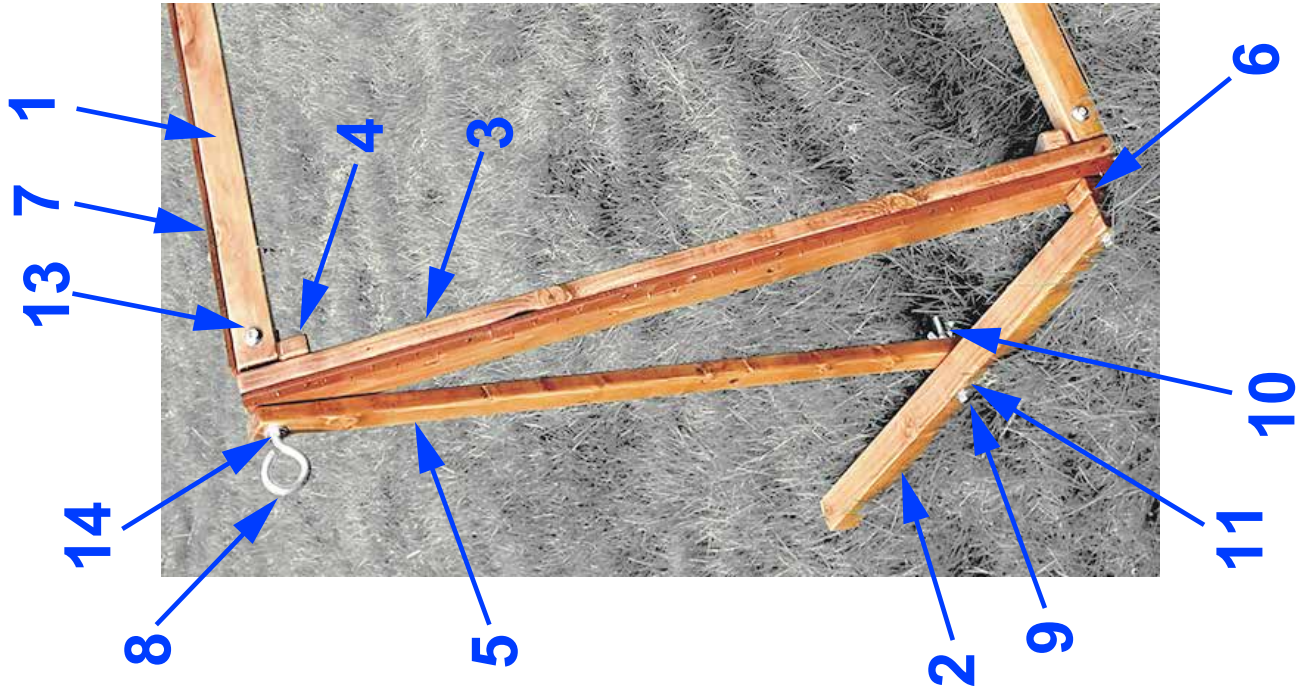
*Sized to Make 2ft x 4ft Rugs*



*Legs fold for  
Mid-Project Storage*



*Flat-Pack for  
Long Term Storage*



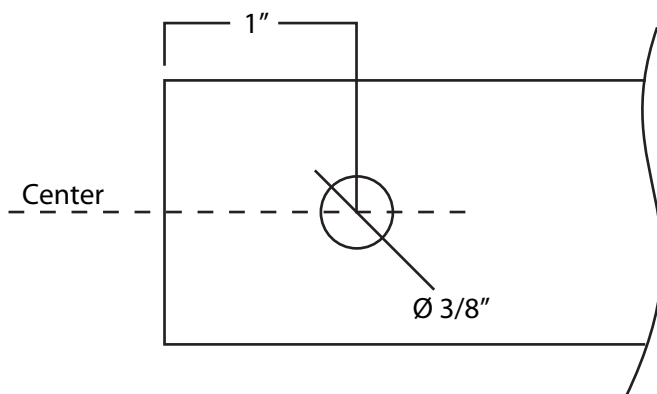
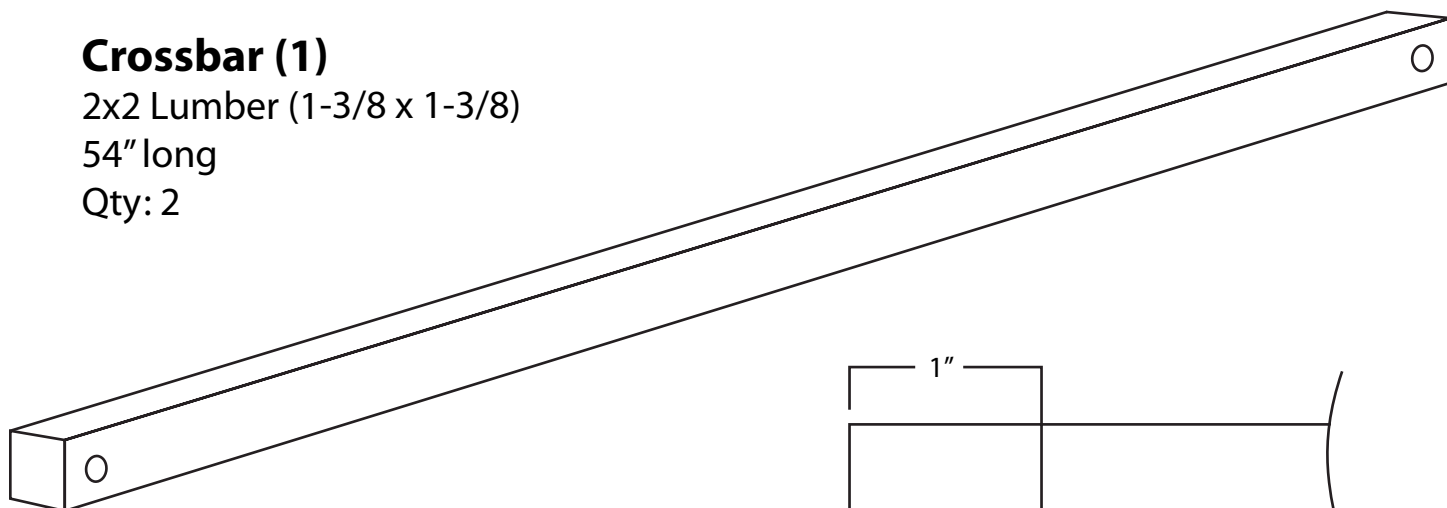
#	Qty	Name	Details	From	SKU/Model	Notes
1	2	Crossbar	54" long, 2x2 common pine	Lowes		Actual size of a 2x2 will be about 1.5" x 1.5"
2	2	Horizontal Leg	26" long, 2x2 common pine	Lowes		Actual size of a 2x2 will be about 1.5" x 1.5"
3	2	Upright	32" long, 1x4 common pine	Lowes		Actual size of a 1x4 will be about 0.75" x 3.5"
4	4	Cleat	1" long, 1x4 common pine	Lowes		Actual size of a 1x4 will be about 0.75" x 3.5"
5	2	Vertical Leg	30" long, 1x2 common pine	Lowes		Actual size of a 1x2 will be about 0.75" x 1.5"
6	2	Spacer	1.50" long, 1x2 common pine	Lowes		Actual size of a 1x2 will be about 0.75" x 1.5"
7	4	Carpet Tack Strip	7/8" wide	Home Depot	Model #HD-161-P-8 SKU #649634	Purchase 2 packs to get 4 strips
8	2	Eye Bolt	3/8"-16 x 4"	Home Depot	Model #807206 UPC #887480072068 SKU #116167	
9	4	Hex Bolt	3/8-16 x 3-1/2"	Home Depot	Model #800876 UPC #887480008760 SKU #661929	Must be fully threaded along entire shank
10	6	Wing Nut	3/8"-16	Home Depot	Model #802391 UPC #887480023916 SKU #646371	Purchase 2 packs to get 6 nuts
11	8	Washers	3/8"	Home Depot	Model #802324 UPC #887480023244 SKU #328154	
12	4	Corner Brace	National Hardware 1.65 x 1.5 x 1/8	Ace Hardware	# N351-482	Ordered online. Ace was local so I could ship to store for free.
13	4	Socket Cap Bolt	3/8-16 x 1-3/4" Button Head	Amazon	Amazon Product ID# B01N9OVZ0M	If Amazon doesn't have, order from McMaster Carr
14	6	Thin Nut	3/8"-16 Thin/Jam Nuts, 7/32" thick	Amazon	Amazon Product ID# B08CRTYGRD	If Amazon doesn't have, order from McMaster Carr
15	4	Plastic Washers	3/8"	Made		Cut from a plastic takeout container
16	16	Nails/Screws	1.25" long	On-Hand		Leftover roofing nails. Screws will work too. Not shown, 2 in each Cleat.
17	1	Wood Glue	Glue	On-Hand		Glued Cleats to Uprights, Spacer to Horizontal Leg
18	1	E-6000 Glue	Glue	On-Hand		Glued nut to Socket Cap Bolt, Corner Brace to Crossbar, Carpet Tack Strip to Crossbar.
19	1	Wood Stain	Minwax Cherry #235	Lowes	#223504444	
20	3	Clear Coat	Rustoleum 12 oz. Gloss Clear	Home Depot	Model #334029 UPC# 020066387587 SKU #617046	
21	1	Spray Paint	Brown	On Hand		Leftover brown spray paint to paint the carpet tack strip

### Crossbar (1)

2x2 Lumber (1-3/8 x 1-3/8)

54" long

Qty: 2

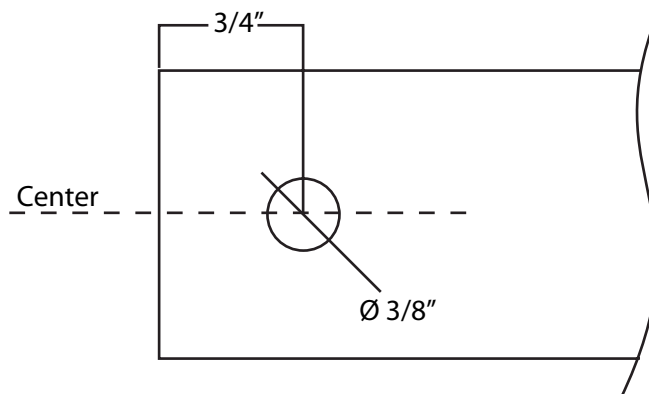
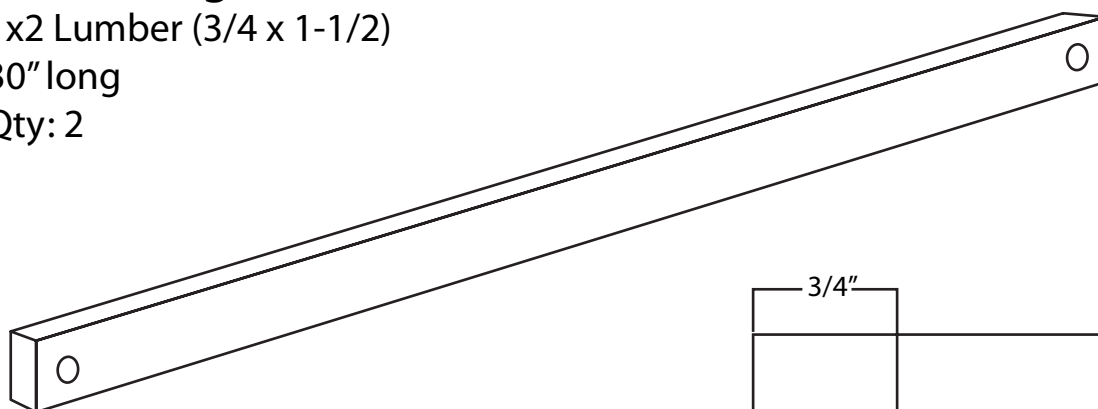


### Vertical Leg (5)

1x2 Lumber (3/4 x 1-1/2)

30" long

Qty: 2

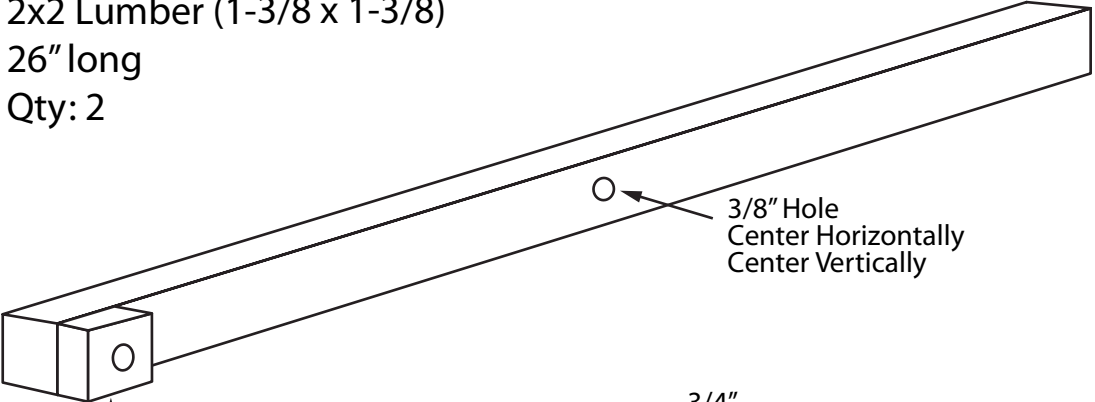


# Horizontal Leg (2)

2x2 Lumber (1-3/8 x 1-3/8)

26" long

Qty: 2

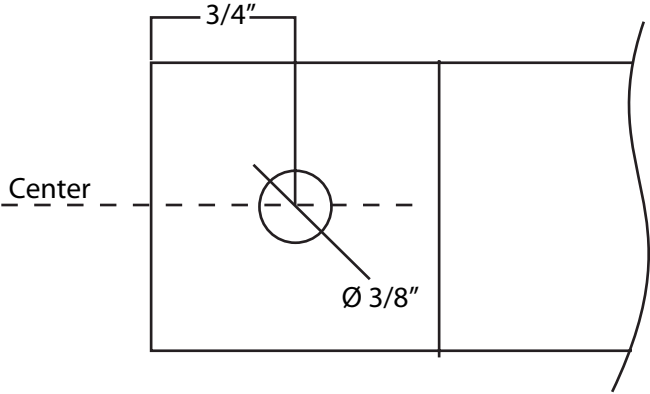


## Spacer (6)

1x2 Lumber (3/4 x 1-1/2)

1-1/2" long, Qty: 2

- Glue to end of Horizontal Leg (2) before drilling hole

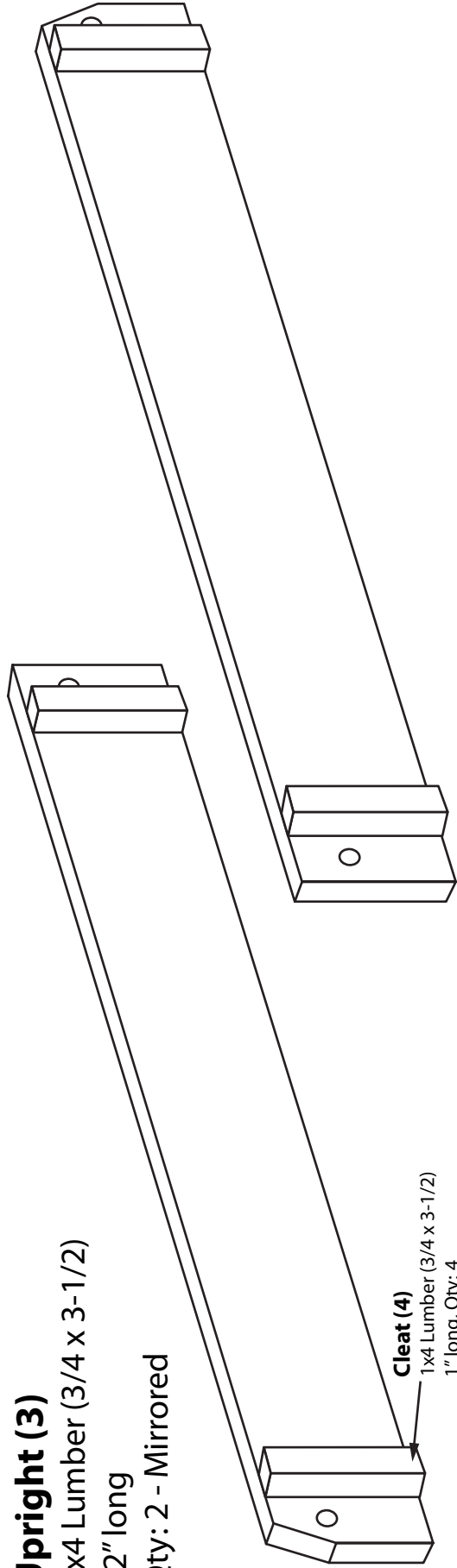


### Upright (3)

1x4 Lumber (3/4 x 3-1/2)

32" long

Qty: 2 - Mirrored



#### Cleat (4)

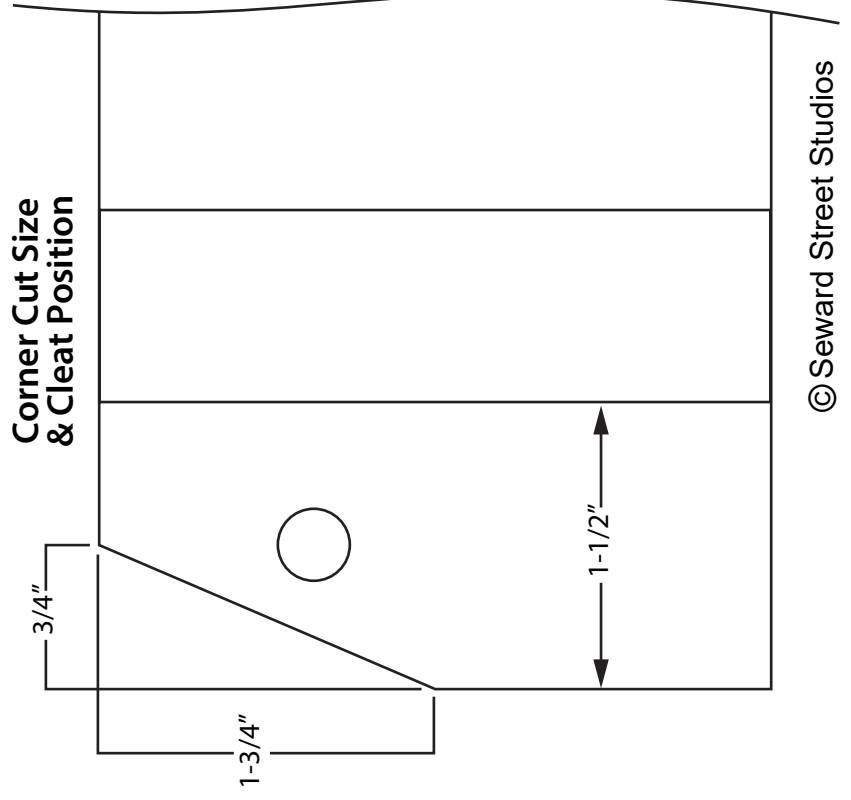
1x4 Lumber (3/4 x 3-1/2)

1" long, Qty: 4

- Glue to Upright (3)

1-1/2" from ends

#### Corner Cut Size & Cleat Position



#### Hole Placement & Size

