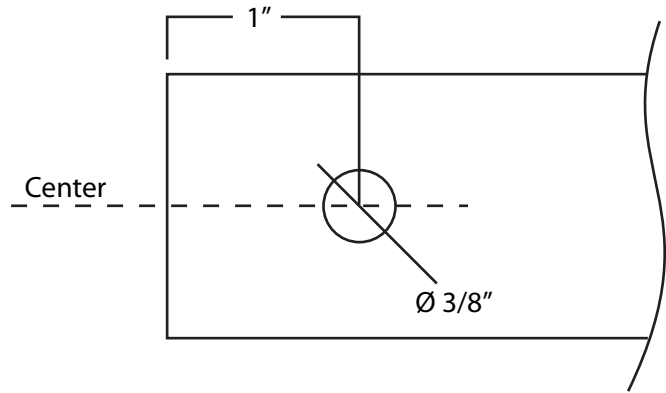
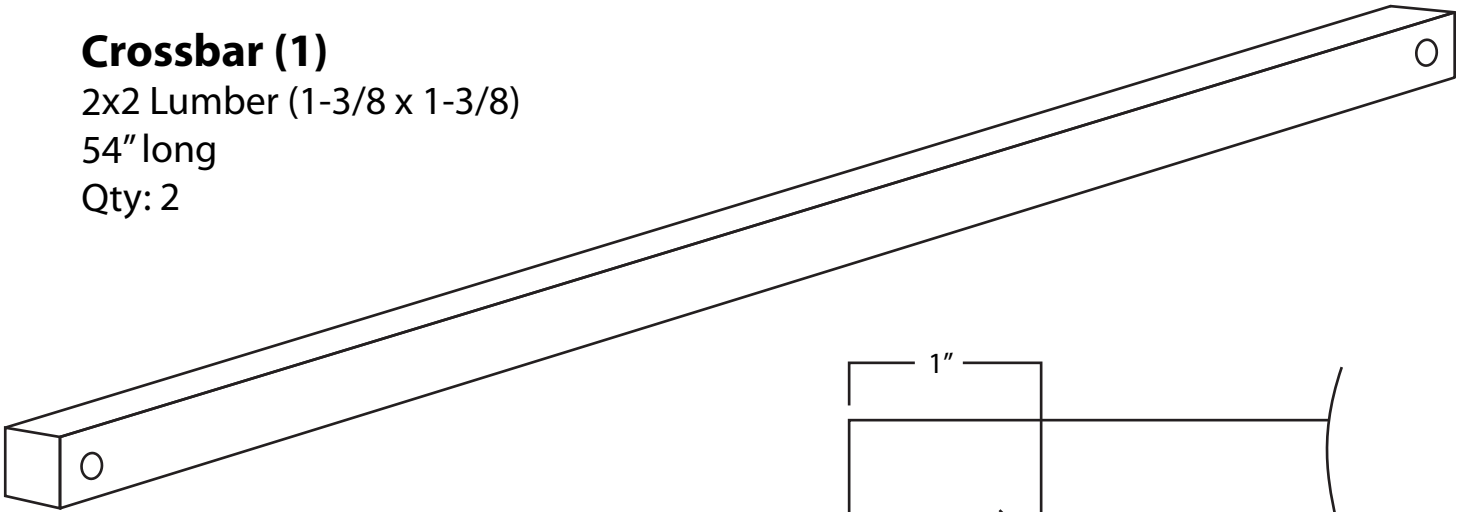


Crossbar (1)

2x2 Lumber (1-3/8 x 1-3/8)

54" long

Qty: 2

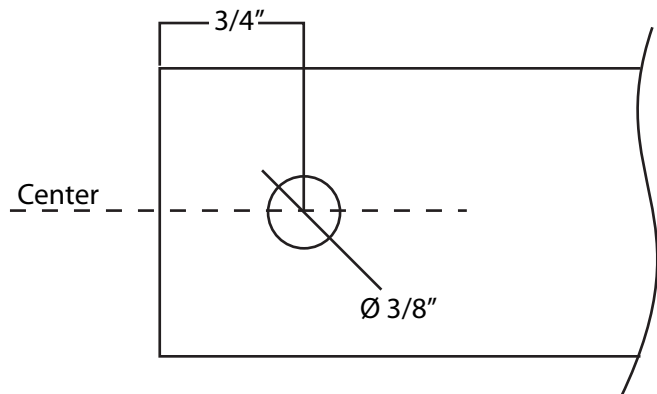
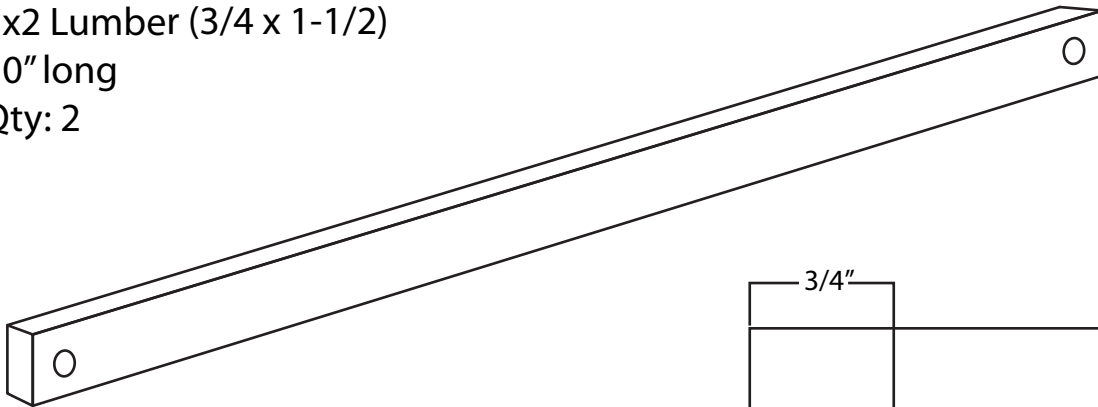


Vertical Leg (5)

1x2 Lumber (3/4 x 1-1/2)

30" long

Qty: 2

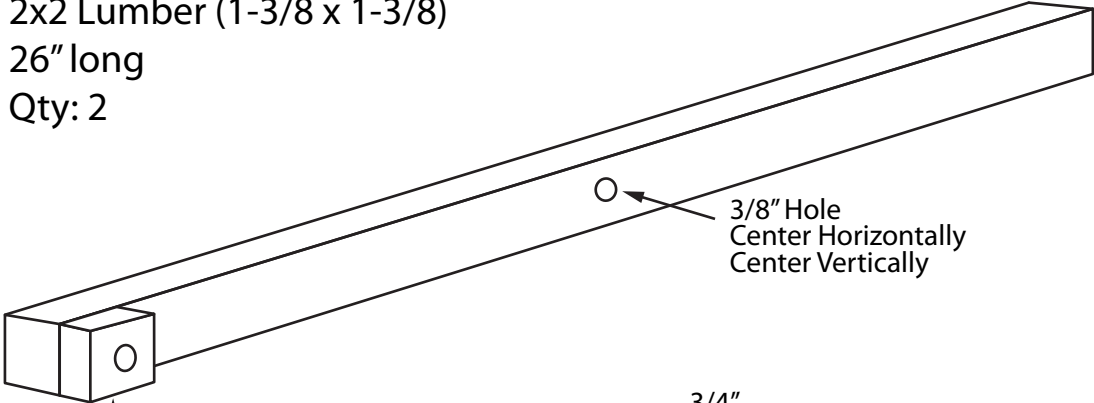


Horizontal Leg (2)

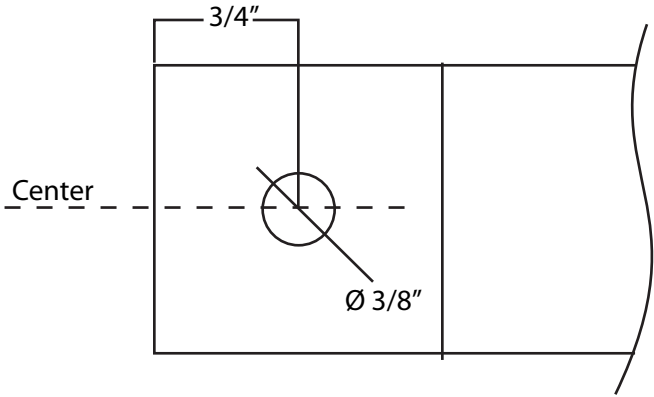
2x2 Lumber (1-3/8 x 1-3/8)

26" long

Qty: 2



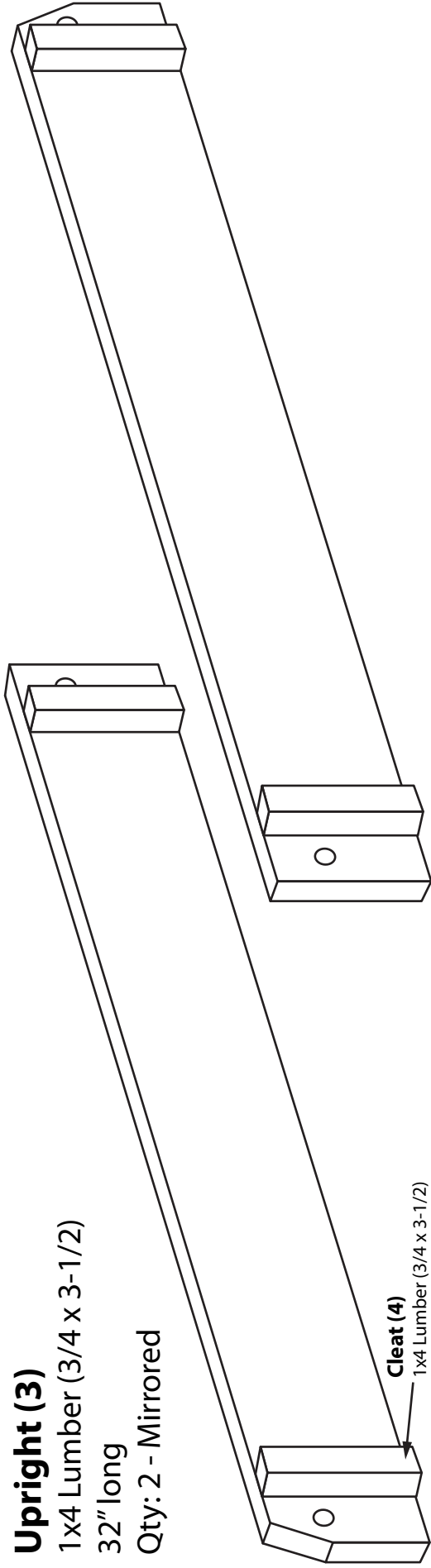
Spacer (6)
1x2 Lumber (3/4 x 1-1/2)
1-1/2" long, Qty: 2
- Glue to end of Horizontal Leg (2)
before drilling hole



Upright (3)

1x4 Lumber (3/4 x 3-1/2)
32" long

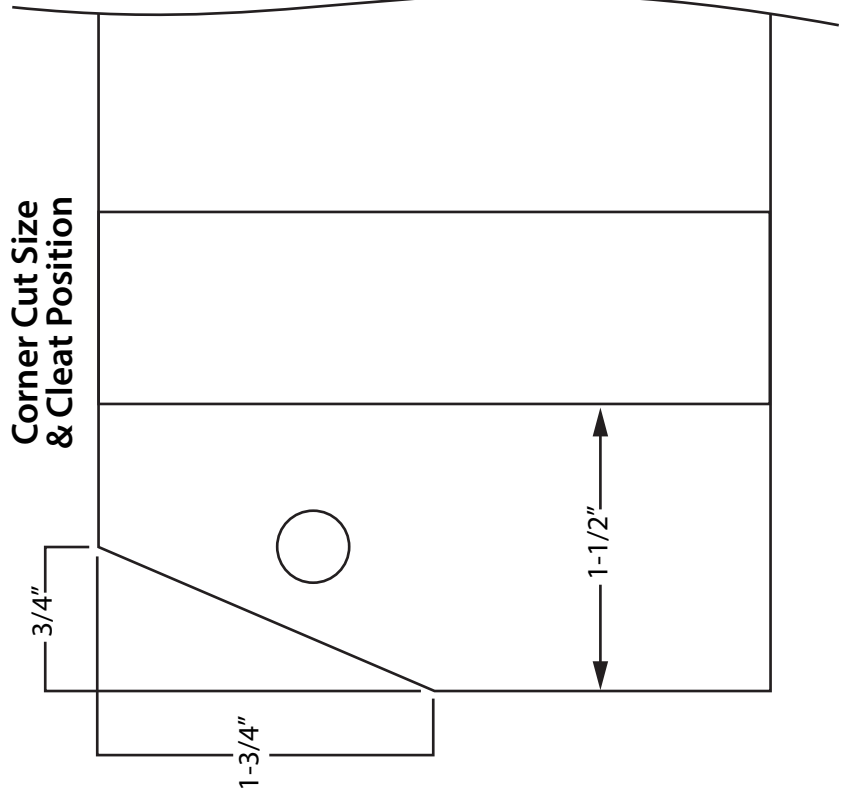
Qty: 2 - Mirrored



Cleat (4)

1x4 Lumber (3/4 x 3-1/2)
1" long, Qty: 4
- Glue to Upright (3)
1-1/2" from ends

Corner Cut Size & Cleat Position



Hole Placement & Size

